

GHC-65 Sliding Door Latch With Inside Indicator

Features

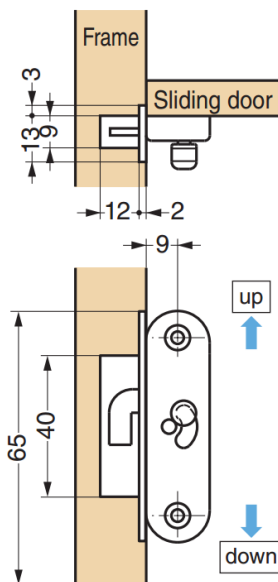
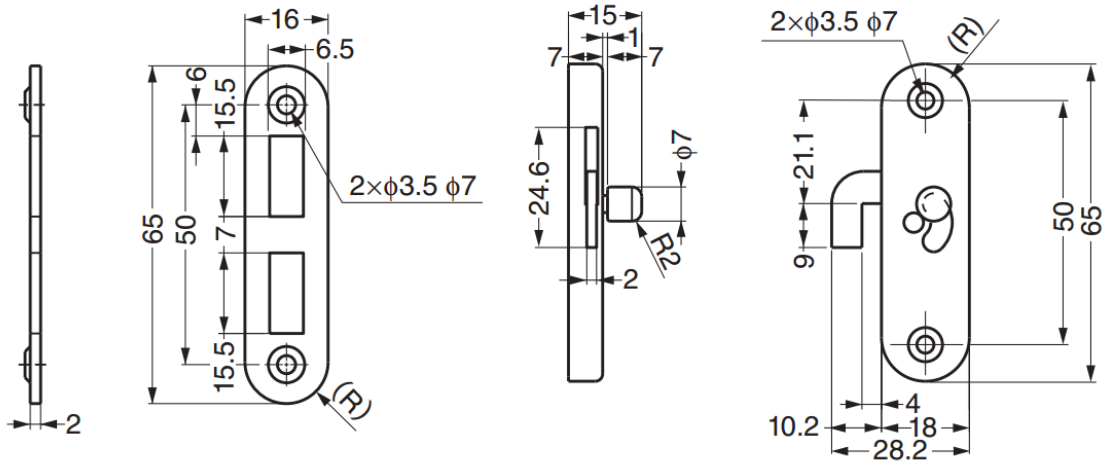
- Ideal for harsh and high corrosion environments
- Surface mount door latch with indicator
- Non-handed: can be installed on left or right side

Material

- Stainless steel 304, satin finish

Parts Included

- Countersunk head tapping screw 3×16 (SUS)
- Countersunk head tapping screw 3.1×16 (SUS)



Part No.
GHC-65